

MIDNAPORE COLLEGE (AUTONOMOUS)

MIDNAPORE

TENDER NOTICE

Ref. No.- 317/MC/PURCHASE/2018

DATE:- 06/08/2018

Rate quotations (including all taxes) in sealed envelope are invited from authorised Suppliers/Concerns/Agencies only who have Trade Licence, Pan Card & GST registration and requisite credentials within 13.08.2018 at 2-00 p.m. for:

Tender:-

Sl. No.	Items
1.	Equipments for Department of Physics (for details please visit College Website)

Re-Tender :-

Sl. No.	Items
1.	A4 Paper – 80 GSM/ HP company – 500 RIM
2.	AC – Split – 1.5 Ton/5 Star/ Hitachi – 2 pics.
3.	Iron Grill, rate per KG with making, delivery with GST
4.	Wood of Shal (Not local) Malasian or others & gammar wood for door & window
5.	Almirah (Iron) – 5 pcs, 78" x 34" x 18" gauge 20/18
6.	Labour rate for colouring of wall, door, and window as per sqft. including all tax.
7.	Equipments for Department of Computer Science (PG) (for details please visit College Website)
8.	Supply of books from publishers / distributors / reputed vendor for the department of Nutrition of Midnapore College (Autonomous) mentioning the title wise maximum discount that you can offer.

Quotation may be submitted in all working days from 11.00 a.m. to 4.00 p.m. in the Office Chamber of the Principal.

Quality cannot be compromised in any way. The authority reserves the right to cancel the order/ refuse the item / articles, in case any variation is found from the original terms and conditions.

Sd/-
(Dr. G. C. Bera)
Principal
Midnapore College

Department of Physics

1. Callender and Barnes Calorimeter (diagram is mentioned below)

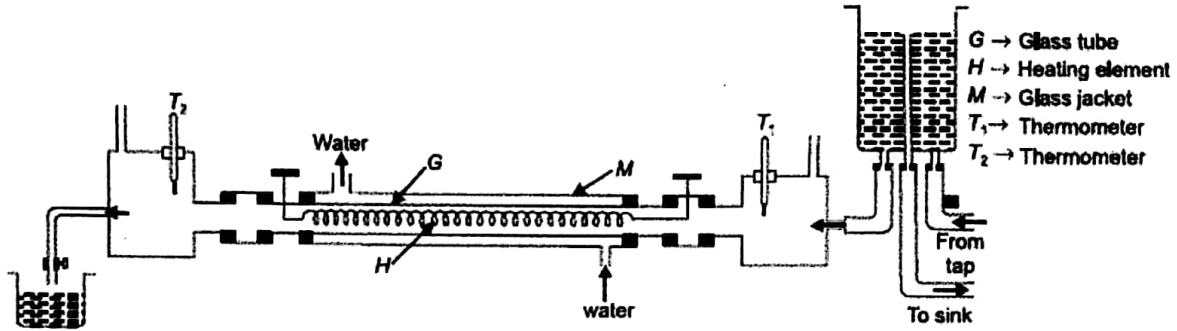
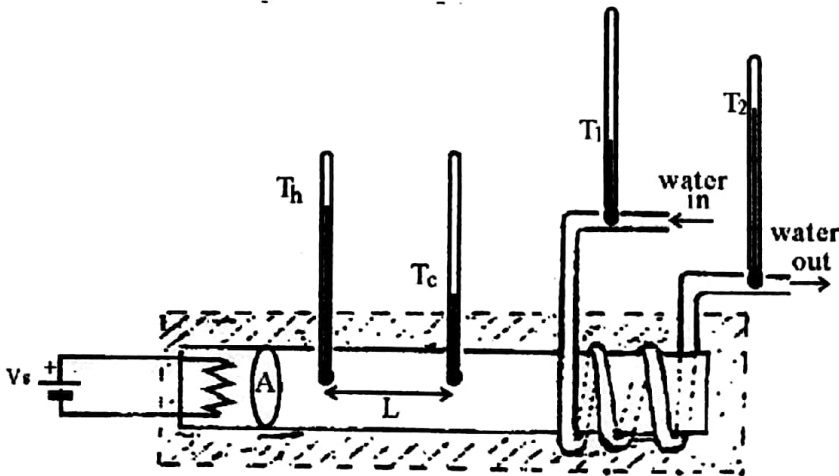


Fig. 8.1

2. Searle's setup (thermal conductivity of metal)



3. Lee's disc method (thermal conductivity of bad conductor) > Stand, Disc & Bad Conductor Sample.

Product Name	Description	Pr
Desktop Computer (with out monitor) HP Commercial, 280G3MT 2MB50PA	Intel core i5 7th generation,8GB DDR4, 1TB HDD, DOS, 3Yrs warranty (HP Commercial, 280G3MT 2MB50PA)	
6KVA APC SMART ON LINE UPS	6KVA APC SMART ON LINE UPS, WITH OUT BATTERY, User need to connect 16Nos. 12Volt Battery Externally to operate. Installation free of cost Across India , 2 Years on site replacement warranty(with battery)	
Table projector	Epson multimedia EB-X05	
Proper LAN connection	Ethernet Switch and LAN Wires (Connect with server)	
Total		